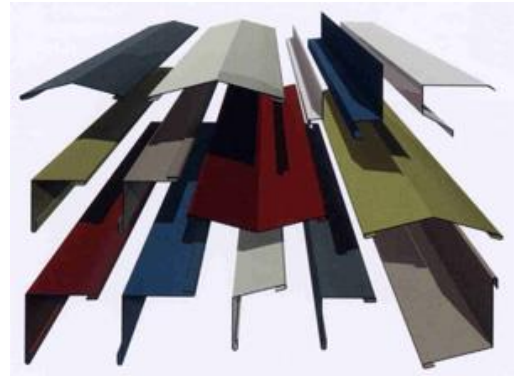


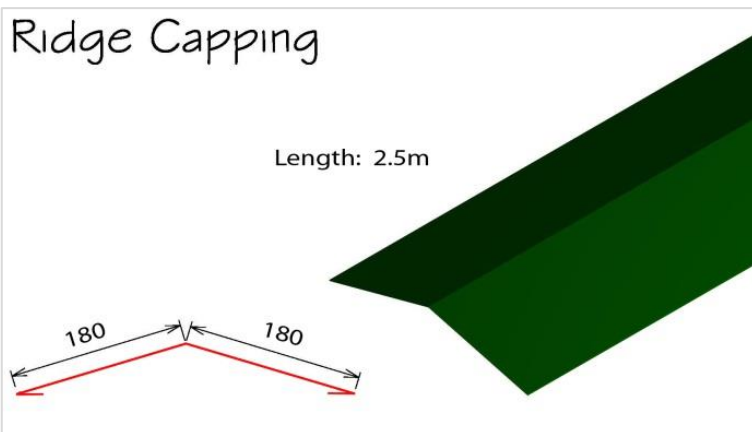
#### FLASHINGS:

Flashings are an integral part of any sheeted roof, covering the ridge where the two sides of a pent roof meet, closing off the corners and ends of runs of sheets, creating an apron where a roof abuts a wall or sealing off reveals such as doors and windows. We stock standard 90° corner or 130° ridge flashings in popular colours and fabricate other flashings to customer's requirements in our workshop. Flashings are generally fitted directly to the high point of the profiled sheet using self drilling stitching TEK screws (ST22) that has a coarse thread that joins two pieces of sheet metal together. Flashings are normally available in 3m lengths. They should be fitted with a 150mm overlap.



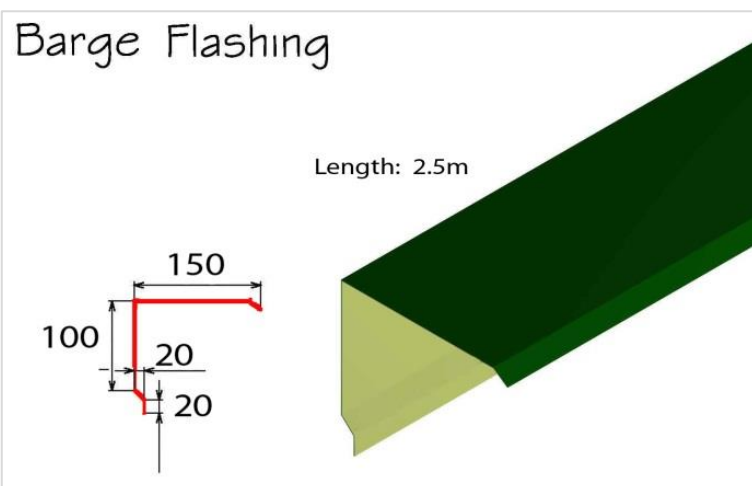
Full range of standard and made-to-order flashings for roof & wall finishing. We offer an extensive range of standard flashings. These are available in standard materials, colours, gauges and girths. Please refer to the individual flashings products below to determine the specification. In addition to our standard range we also offer a custom manufacturing facility which was developed with maximum flexibility in mind.

#### Ridge



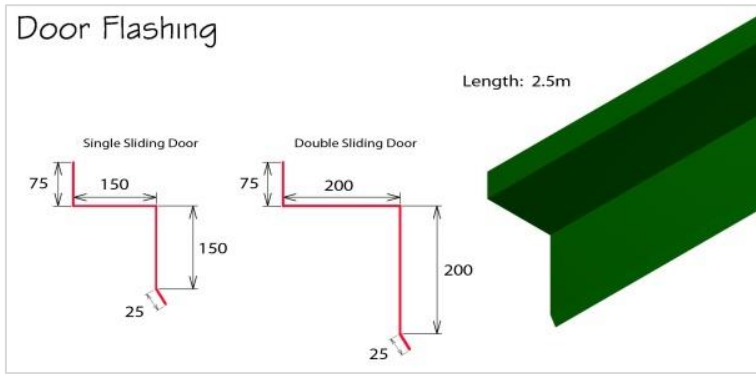
The ridge flashing is required at the apex of a pitched roof. The width (girth) of the flashing is standard at 400mm. A fold is used to create the angle to fit to the pitch of the roof. The ridge flashing is fixed every 500mm directly to the roof sheet with a self-drilling screw. Flashings are supplied in 3 metre lengths to match the profile sheet material and colour combinations.

#### Barge

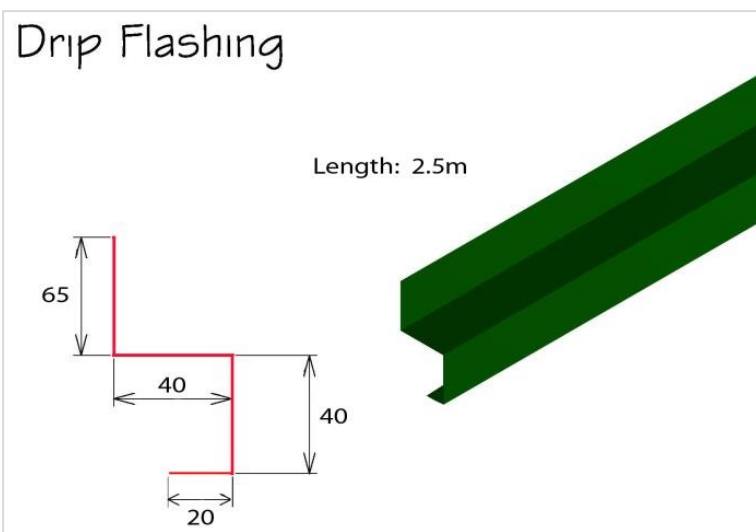


Barge board flashings are used on the corners of any building and for the gable ends of a roof. They can also be used to flash around a single sloping pitched roof. Their main purpose is to provide closure between sheets and walls, and also to provide protection against high winds lifting the sheets.

## Sliding Door



## Drip



The drip flashing is located at the bottom of wall cladding and effectively closes the bottom of the sheets off to the elements, as well as providing a barrier to water ingress via capillary action.

## Corners

Corner flashings provide closure where walls meet, providing a flashing that closes the corners of the building to the elements.

